

Q5RD Series

Single Packaged Heat Pump, Single Phase

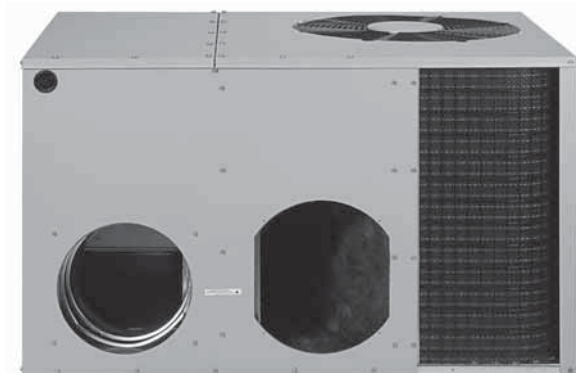
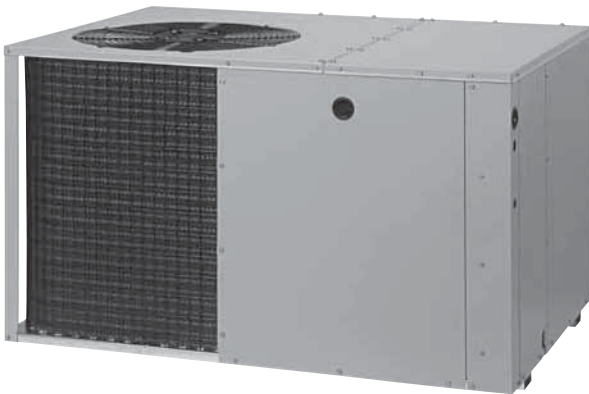
13 SEER, R-410A

2 thru 5 Ton Units

Cooling: 24,000 to 56,000 Btuh

Heating: 24,000 to 54,500 Btuh

The Q5 Series single packaged heat pumps are high efficiency self contained cooling and heating units that can be installed on a slab. Units are ETL and ETLc listed.



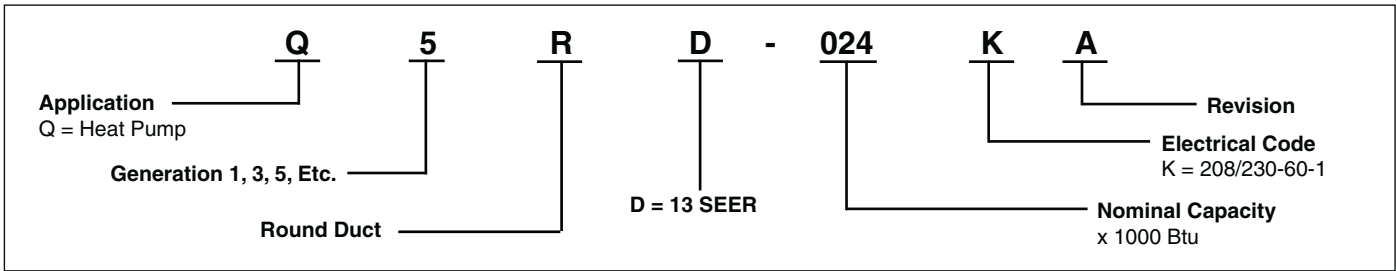
WARRANTY

- This product offers a 10-year All-Parts Warranty.
- This product offers a 10 year Quality Pledge to replace the entire unit, if the unit's major component (compressor) fails within the first 10 years of operation, to the original owner.
- Consumer product registration required for both 10 year All Parts Warranty and Quality Pledge within a limited period of time after the installation. See current warranty document or visit our consumer web site listed on the back of this document for warranty details.

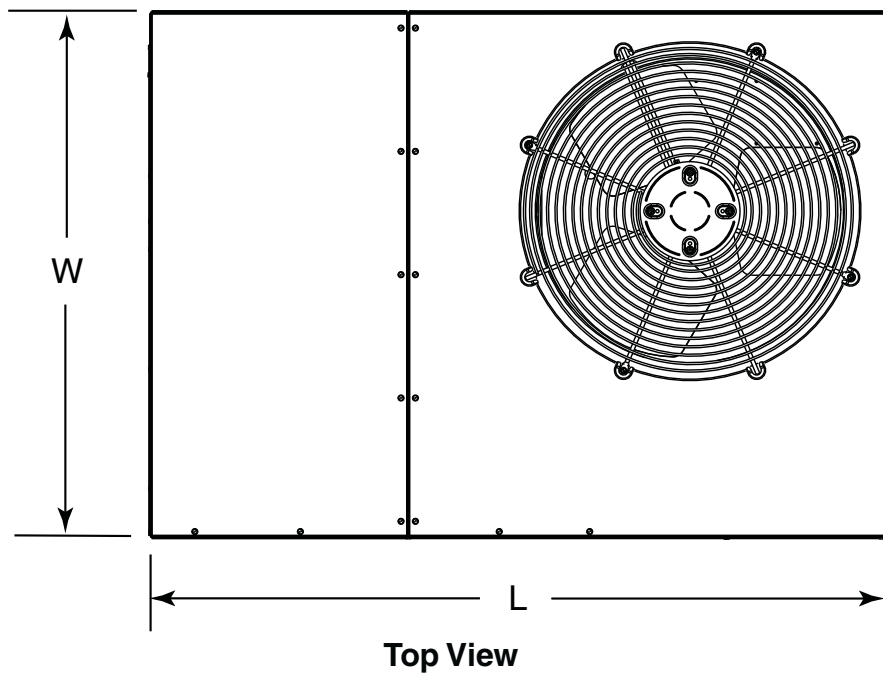
FEATURES and BENEFITS

- **Quality Compressor:** State of the art scroll compressor is standard equipment.
- **R-410A Refrigerant:** Earth friendly non-ozone depleting refrigerant.
- **Hi/Low Pressure Switches:** Ensure long compressor life.
- **Copper Tube / Aluminum Fin Coils:** Both indoor and outdoor coils are designed to optimize heat transfer, minimize size and cost, and increase durability and reliability.
- **Designed using Galvanized Steel:** with a polyester urethane coat finish. The 950 hour salt spray finish is 1.5 mil thick and resists corrosion 50% better than comparable units.
- **Compact Footprint and Profile:** make the Q5 Series easy to install and transport.
- **0" Clearance:** to combustibles on duct side of the unit allows for installations in tight areas.
- **Wire guard coated with Earth Friendly Epoxy and plastic mesh hail guard:** A guard that will never rust and protects the units coil from being damaged.
- **Raised Base Pan:** allows water to drain away from away from the unit.
- **Easy Compressor and Control Access:** Designed to make servicing easier for the contractor, access panels are provided to all controls and the compressor from the side of the unit.
- **Easy access:** to the evaporator coil for cleaning and general maintenance.
- **Removable Top Grille Assembly:** Allows ease of service to the fan motor.
- **Time/Temperature Defrost:** a reliable, industry standard control offers various time settings to meet any type climate.
- **Five Minute Restart Time Delay:** when the units shuts down, a five minute delay keeps the unit from restarting, eliminating the highest cause of compressor failure.
- **Liquid Line Filter Driers:** Factory installed at a convenient location for service.
- **Accessible Service Valves:** simplify servicing of the refrigeration system.
- **Suction Accumulator:** provides protection from liquid flood back and future compressor failures.
- **Permanently Lubricated Condenser Motor:** A heavy duty PSC motor for long lasting reliability and quiet operation. Requires no maintenance and is completely protected from rain and snow.
- **Low voltage Transformer:** Includes 3 Amp fuse to protect low voltage circuit.
- **Drain Trap Included:** design optimizes drainage capabilities.
- **Duct Collars:** reduce installation costs.
- **Outdoor thermostat:** is standard equipment.
- **Optional Electric Heat:** Field installed 5 – 20 KW.

MODEL IDENTIFICATION CODE

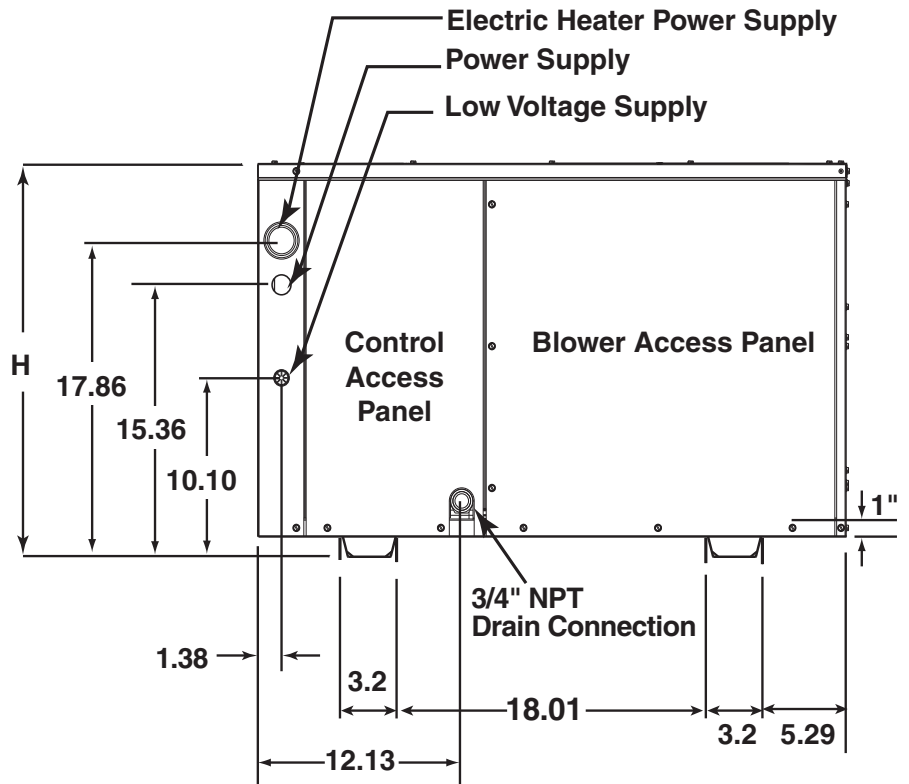


DIMENSIONS



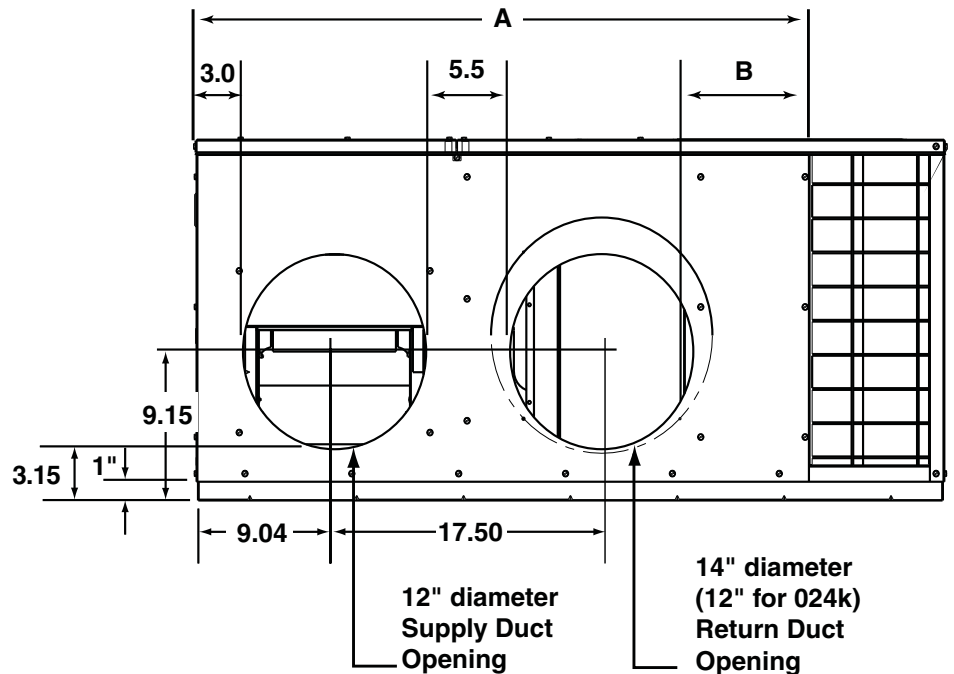
Model Number	(L) Length	(W) Width	(H) Height	A	B
Q5RD-024K	49	35	22.2	40.15	7.61
030K	49	35	30.2	40.15	7.61
036KA	49	35	30.2	35.02	2.48
042K	49	35	30.2	35.02	2.48
048KA	49	35	34.2	35.02	2.48
060K	49	35	38.2	35.02	2.48

DIMENSIONS Continued



Side View

Model Number Q5RD-	Return Diameter (in)
024K	12
030K	14
036KA	14
042K	14
048KA	14
060K	14



Back (Duct) View

PHYSICAL SPECIFICATIONS

Q5RD Models

Model No. Q5RD-	024K	030K	036KA	042K	048KA	060K
Electric Rating — 60 Hz (a)						
Operating Voltage Range	187 - 253	187 - 253	187 - 253	187 - 253	187 - 253	187 - 253
Min. Circuit Ampacity (a)	18.1	22.2	26.5	32.2	34.9	40.5
Field Wire Size — AWG (a)	12	10	10	8	8	6
Delay Fuse — Max. (b)	30	35	45	50	50	60
Total Unit — AMPS	14.9	18.3	21.8	27.2	28.6	33.9
Compressor						
Volts	208 - 230	208 - 230	208 - 230	208 - 230	208 - 230	208 - 230
Rated Load Amps	12.8	15.7	18.6	20	24.3	26.4
Lock Rotor Amps	58.3	73	79	112	117	134
Condenser Motor						
Fan Motor — HP - RPM	1/8 - 1100	1/5 - 1100	1/8 - 1100	1/4 - 1100	1/4 - 1100	1/3 - 1100
Fan Motor — Amps	1.1	1.2	1.1	1.2	1.2	1.5
Fan Dia. — CFM	20" - 2800	20" - 2800	20" - 2800	20" - 3000	20" - 3000	20" - 3400
Evaporator Motor						
Blower Motor — HP - RPM	1/5 - 815	1/4 - 1050	1/3 - 900	3/4 - 1360	1/2 - 1080	3/4 - 1505
Blower Motor — Amps	1.0	1.4	2.1	6	3.1	6
CFM @ E.S.P. — in. W.C.	815 @ .30	1064 @ .30	1248 @ .30	1500 @ .30	1790 @ .30	1650 @ .30
Refrigerant (R410-A) — Oz.	102.4	128	145.6	132.8	184.0	200
Shipping Weight -- Lbs.	295	335	340	355	385	385

(a) Amperage and wire size based on refrigeration system only with 60° C wire, 50 ft. length. See Electrical Data tables for supplemental electric heaters.

Refer to National Electric Code for additional derating factors for field installed conductors.

(b) Use time delay fuse or "HACR" type circuit breaker.

SYSTEM HEATING AND COOLING CAPACITIES

Model Number Q5RD	Cooling Btuh	SEER	EER	Heating Btuh	HSPF
024K	24,000	13	11.5	24,000	7.7
030K	28,600	13	11.0	26,600	7.7
036KA	35,000	13	11.2	34,000	7.7
042K	40,500	13	11.2	40,000	7.7
048KA	47,000	13	11.0	45,000	7.7
060K	56,000	13	11.0	54,500	7.7

Description	Part Number
4-Pole single circuit adaptor	913350
6-Pole single circuit adaptor	913556
Circuit Breaker Single Phase (2-pole)	913554
Extreme high wind kit - ground mount	903694

COPPER WIRE SIZE — AWG (1% Voltage Drop)				
Supply Wire Length-Feet				Supply Circuit Ampacity
200	150	100	50	
6	8	10	14	15
4	6	8	12	20
4	6	8	10	25
4	4	6	10	30
3	4	6	8	35
3	4	6	8	40
2	3	4	6	45
2	3	4	6	50

Wire Size based on N.E.C. for 60° type copper conductors.

Q5RD SERIES SMALL PACK

UNIT	BLOWER SETTING	External Static Pressure Drop - inches water column															
		0.1		0.2		0.3		0.4		0.5		0.6		0.7		0.8	
		CFM	HEAT RISE	CFM	HEAT RISE	CFM	HEAT RISE	CFM	HEAT RISE	CFM	HEAT RISE	CFM	HEAT RISE	CFM	HEAT RISE	CFM	HEAT RISE
024K	Low	607	52	555	57	490	64	437	72	368	86	291	109	255	124		
	Med†	899	35	854	37	802	39	743	43	670	47	601	53	533	59		
	High	1220	26	1178	27	1133	28	1091	29	1024	31	946	33	844	37	743	43
030K	Low	847	37	808	39	770	41	726	44	664	48	562	56	460	69		
	High†	1104	29	1114	28	1064	30	1010	31	935	34	846	37	710	44	536	59
036KA	Low†	1318	24	1284	25	1248	25	1207	26	1160	27	1110	28	1043	30	957	33
	High	1551	20	1521	21	1477	21	1434	22	1388	23	1342	24	1263	25	1180	27
036K	Tap T1	1100	29	900	35	750	42	650	49	580	54	520	61	480	66	455	69
	Tap T2**	1208	26	1080	29	1025	31	972	33	926	34	874	36	813	39	752	42
	Tap T3*	1262	25	1199	26	1153	27	1110	28	1070	30	1027	31	965	33	906	35
	Tap T4	1370	23	1333	24	1300	24	1260	25	1230	26	1180	27	1070	30	1010	31
	Tap T5	1410	22	1340	24	1450	22	1320	24	1280	25	1240	25	1195	26	1150	27
042K	Tap T1	1480	21	1455	22	1415	22	1390	23	1355	23	1320	24	1290	24	1255	25
	Tap T2*	1575	20	1545	20	1515	21	1475	21	1440	22	1420	22	1385	23	1345	23
	Tap T3**	1635	19	1505	21	1575	20	1545	20	1515	21	1485	21	1455	22	1425	22
	Tap T4	1775	18	1740	18	1715	18	1695	19	1665	19	1635	19	1610	20	1580	20
	Tap T5	2065	15	2040	15	2020	16	1985	16	1960	16	1940	16	1905	17	1850	17
048KA	Low	1460	22	1440	22	1420	22	1390	23	1360	23	1325	24	1285	25	1235	26
	Med†	1840	17	1815	17	1790	18	1760	18	1715	18	1660	19	1605	20	1535	21
	High	2155	15	2115	15	2065	15	2020	16	1955	16	1895	17	1830	17	1740	18
048K	Tap T1	1480	21	1455	22	1415	22	1390	23	1355	23	1320	24	1290	24	1255	25
	Tap T2**	1575	20	1545	20	1515	21	1475	21	1440	22	1420	22	1385	23	1345	23
	Tap T3*	1635	19	1505	21	1575	20	1545	20	1515	21	1485	21	1455	22	1425	22
	Tap T4	1775	18	1740	18	1715	18	1695	19	1665	19	1635	19	1610	20	1580	20
	Tap T5	2065	15	2040	15	2020	16	1985	16	1960	16	1940	16	1905	17	1850	17
060K	Tap T1	1370	23	1340	24	1310	24	1280	25	1260	25	1230	26	1195	26	1160	27
	Tap T2	1470	21	1440	22	1410	22	1380	23	1360	23	1320	24	1290	24	1250	25
	Tap T3**	1550	20	1520	21	1480	21	1450	22	1430	22	1400	23	1380	23	1350	23
	Tap T4*	1810	17	1770	18	1740	18	1720	18	1690	19	1660	19	1610	20	1575	20
	Tap T5	1890	17	1870	17	1840	17	1820	17	1800	18	1770	18	1710	18	1670	19

NOTES:

Temperature rises shaded gray are for reference only. These conditions are not recommended. Heat rise valves calculated with 10KW Heater Kit.

* Denotes factory set cooling speed

** Denotes factory set electric heating speed

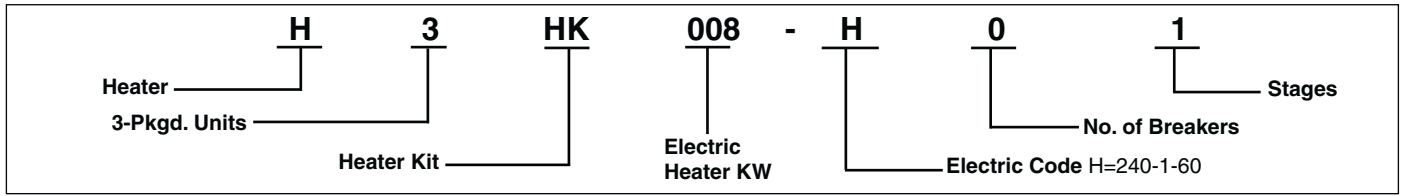
† Denotes Factory cooling and electric heating speed

ACCESSORIES

Q5RD SERIES - 208/230V - SINGLE PHASE MODELS													
MODEL Q5RD-	HEATER KW	MCA	REC, WIRE GAGE (90° C CU)	MOP	CIRCUIT A (COMPRESSOR & BLOWER)			CIRCUIT B (FAN & HEATER)			CIRCUIT C (HEATER ONLY)		
					MCA	REC, WIRE GAGE (90° C CU)	MOP	MCA	REC, WIRE GAGE (90° C CU)	MOP	MCA	REC, WIRE GAGE (90° C CU)	MOP
024K	0	18.1	12	30	-	-	-	-	-	-	-	-	-
	5	43.1	8	50	-	-	-	-	-	-	-	-	-
	8	57.7	6	60	-	-	-	-	-	-	-	-	-
	10	68.1	6	70	17.1	12	25	51	8	60	-	-	-
030K	0	22.2	10	35	-	-	-	-	-	-	-	-	-
	5	47.2	8	50	-	-	-	-	-	-	-	-	-
	8	61.8	6	70	20.8	10	35	41	8	45	-	-	-
	10	72.2	6	80	20.8	10	35	51.4	8	60	-	-	-
	15	97.2	3	100	45.8	8	50	51.4	8	60	-	-	-
036KA	0	26.5	10	45	-	-	-	-	-	-	-	-	-
	5	51.5	8	60	-	-	-	-	-	-	-	-	-
	8	66	6	70	25.4	10	40	40.7	8	45	-	-	-
	10	76.5	4	80	25.4	10	40	51.1	8	60	-	-	-
	15	101.5	3	110	50.4	8	60	51.1	8	60	-	-	-
048KA	0	34.9	8	50	-	-	-	-	-	-	-	-	-
	5	59.9	6	70	33.5	8	50	26.5	10	30	-	-	-
	8	74.5	6	90	33.5	8	50	41	8	45	-	-	-
	10	84.9	4	90	33.5	8	50	51.5	8	60	-	-	-
	15	109.9	3	110	58.5	6	70	51.5	8	60	-	-	-
	20	134.9	1	150	-	-	-	-	-	-	-	-	-
	20 (3 cir.)	-	-	-	33.5	8	50	51.5	8	60	50	8	60

Q5RD SERIES - 208/230V - SINGLE PHASE MODELS													
MODEL NUMBER Q5RD	HEATER KW	MCA	REC, WIRE GAGE (90° C CU)	MOP	CIRCUIT A (COMPRESSOR, BLOWER & FAN)			CIRCUIT B (HEATER ONLY)			CIRCUIT C (HEATER ONLY)		
					MCA	REC, WIRE GAGE (90° C CU)	MOP	MCA	REC, WIRE GAGE (90° C CU)	MOP	MCA	REC, WIRE GAGE (90° C CU)	MOP
036K	0	28.5	10	45	-	-	-	-	-	-	-	-	-
	5	53.5	8	60	-	-	-	-	-	-	-	-	-
	8	68	6	70	28.5	10	45	39.6	8	40	-	-	-
	10	78.5	4	80	28.5	10	45	50	8	60	-	-	-
	15	103.5	3	110	53.5	8	60	50	8	60	-	-	-
042K	0	32.2	8	50	-	-	-	-	-	-	-	-	-
	5	57.2	6	70	-	-	-	-	-	-	-	-	-
	8	71.8	6	80	32.2	8	50	39.6	8	40	-	-	-
	10	82.2	4	90	32.2	8	50	50	8	60	-	-	-
	15	107.2	3	110	57.2	6	70	50	8	60	-	-	-
	20	132.2	1	150	-	-	-	-	-	-	-	-	-
	20 (3 circuit)	-	-	-	32.2	8	50	50	8	60	50	8	60
048K	0	37.6	8	60	-	-	-	-	-	-	-	-	-
	5	62.6	6	80	37.6	8	60	25	10	30	-	-	-
	8	77.2	4	90	37.6	8	60	39.6	8	40	-	-	-
	10	87.6	4	100	37.6	8	60	50	8	60	-	-	-
	15	112.6	2	125	62.6	6	80	50	8	60	-	-	-
	20	137.6	1	150	-	-	-	-	-	-	-	-	-
20 (3 circuit)	-	-	-	37.6	8	60	50	8	60	50	8	60	
060K	0	40.5	8	60	-	-	-	-	-	-	-	-	-
	5	65.5	6	80	40.5	8	60	25	10	30	-	-	-
	8	80.1	4	90	40.5	8	60	39.6	8	40	-	-	-
	10	90.5	4	100	40.5	8	60	50	8	60	-	-	-
	15	115.5	2	125	65.5	6	80	50	8	60	-	-	-
	20	140.5	1	150	-	-	-	-	-	-	-	-	-
20 (3 circuit)	-	-	-	40.5	8	60	50	8	60	50	8	60	

MODEL IDENTIFICATION CODE



Q5RD Heater Kit Application Matrix				
Tonnage	Nominal kW	Heater Kit Model	Heater Kit Part Number	Breakers
024K	5	H3HK005H-01B	917166B	None
	8	H3HK008H-01B	917167B	None
	10	H3HK010H-01B	917168B	2
030K	5	H3HK005H-01B	917166B	None
	8	H3HK008H-01B	917167B	2
	10	H3HK010H-01B	917168B	2
	15	H3HK015H-01B	917169B	2
	15	H3HK015H-21B	917172B	None
036K or 036KA	5	H3HK005H-01B	917166B	None
	8	H3HK008H-01B	917167B	2
	10	H3HK010H-01B	917168B	2
	15	H3HK015H-01B	917169B	2
	15	H3HK015H-21B	917172B	None
042K	5	H3HK005H-01B	917166B	None
	8	H3HK008H-01B	917167B	2
	10	H3HK010H-01B	917168B	2
	15	H3HK015H-01B	917169B	2
	15	H3HK015H-21B	917172B	None
	20	H3HK020H-01B	917170B	2
	20	H3HK020H-21B	917173B	1
048K or 048KA	5	H3HK005H-01B	917166B	2
	8	H3HK008H-01B	917167B	2
	10	H3HK010H-01B	917168B	2
	15	H3HK015H-01B	917169B	2
	15	H3HK015H-21B	917172B	None
	20	H3HK020H-01B	917170B	3
	20	H3HK020H-21B	917173B	1
060K	5	H3HK005H-01B	917166B	2
	8	H3HK008H-01B	917167B	2
	10	H3HK010H-01B	917168B	2
	15	H3HK015H-01B	917169B	3
	15	H3HK015H-21B	917172B	1
	20	H3HK020H-01B	917170B	3
	20	H3HK020H-01B	917173B	1

HEAT PUMP COOLING EXPANDED RATINGS

Q5RD-024K

O.D.T			85°F			95°F			105°F			115°F		
CFM	E.D.B.	E.W.B.	T.C.	S.C.	K.W.	T.C.	S.C.	K.W.	T.C.	S.C.	K.W.	T.C.	S.C.	K.W.
650	80	62	23.4	20.8	1.84	22.2	20.3	2.05	21.0	19.7	2.27	19.6	18.8	2.52
	80	67	25.4	17.5	1.86	24.1	16.9	2.07	22.8	16.3	2.29	21.3	15.6	2.54
	80	72	27.9	14.3	1.90	26.6	13.8	2.10	25.0	13.3	2.32	23.2	12.6	2.56
	75	63	23.5	15.1	1.85	22.4	15.1	2.05	21.1	14.9	2.27	19.7	14.5	2.52
800	80	62	24.4	23.4	1.85	23.3	22.9	2.06	22.0	22.0	2.28	20.7	20.7	2.53
	80	67	26.4	19.4	1.88	25.1	18.8	2.08	23.6	18.2	2.30	22.0	17.4	2.55
	80	72	28.3	15.5	1.91	26.9	15.0	2.11	25.4	14.3	2.33	23.6	13.6	2.57
	75	63	24.5	17.5	1.86	23.3	17.3	2.06	21.9	17.0	2.28	20.4	16.4	2.53
950	80	62	25.5	25.3	1.87	24.4	24.3	2.07	23.2	23.2	2.29	21.8	21.8	2.55
	80	67	27.1	21.2	1.89	25.8	20.6	2.09	24.3	19.9	2.31	22.6	19.1	2.56
	80	72	29.0	16.6	1.93	27.6	16.0	2.12	26.0	15.3	2.34	24.2	14.5	2.58
	75	63	25.2	19.9	1.86	23.9	19.5	2.07	22.5	19.0	2.29	20.9	18.3	2.53

Q5RD-030K

O.D.T			85°F			95°F			105°F			115°F		
CFM	E.D.B.	E.W.B.	T.C.	S.C.	K.W.	T.C.	S.C.	K.W.	T.C.	S.C.	K.W.	T.C.	S.C.	K.W.
850	80	62	27.3	25.6	2.28	26.0	25.0	2.51	24.5	24.3	2.78	23.0	22.8	3.08
	80	67	29.6	21.4	2.29	28.1	20.8	2.53	26.5	20.1	2.79	24.6	19.3	3.10
	80	72	32.3	17.1	2.32	30.7	16.5	2.55	28.8	15.8	2.81	26.8	15.1	3.11
	75	63	27.6	18.5	2.28	26.2	18.6	2.51	24.6	18.4	2.78	22.9	18.0	3.09
1000	80	62	28.3	27.9	2.28	27.1	26.9	2.52	25.7	25.6	2.78	24.1	24.1	3.09
	80	67	30.4	23.3	2.30	28.9	22.7	2.54	27.1	22.0	2.80	25.2	21.2	3.10
	80	72	33.1	18.4	2.33	31.3	17.7	2.56	29.4	17.1	2.82	27.3	16.3	3.12
	75	63	28.4	21.0	2.29	26.9	20.9	2.52	25.3	20.5	2.78	23.5	20.0	3.09
1150	80	62	29.5	29.2	2.29	28.2	28.0	2.53	26.7	26.7	2.79	25.0	25.0	3.10
	80	67	31.1	25.2	2.31	29.4	24.5	2.54	27.6	23.8	2.80	25.7	23.0	3.10
	80	72	33.5	19.6	2.33	31.8	18.9	2.56	29.8	18.2	2.83	27.7	17.4	3.12
	75	63	29.0	23.7	2.29	27.5	23.2	2.52	25.8	22.7	2.79	23.9	21.9	3.09

Q5RD-036KA

O.D.T			65°F			75°F			85°F			95°F			105°F			115°F		
CFM	E.D.B.	E.W.B.	T.C.	S.C.	K.W.	T.C.	S.C.	K.W.	T.C.	S.C.	K.W.	T.C.	S.C.	K.W.	T.C.	S.C.	K.W.	T.C.	S.C.	K.W.
1050	80	62	36.9	29.6	2.24	35.5	29.4	2.48	33.9	29.5	2.74	32.3	29.0	3.03	30.41	29.90	3.36	28.47	27.99	3.75
	80	67	39.9	24.1	2.26	38.5	24.0	2.50	36.8	24.2	2.77	35.0	23.7	3.05	32.90	23.28	3.38	30.62	21.79	3.77
	80	72	43.5	18.6	2.28	41.9	18.5	2.53	40.0	18.9	2.79	38.0	18.5	3.09	35.68	18.18	3.41	33.09	18.48	3.79
	75	63	37.2	23.6	2.25	35.8	23.4	2.48	34.2	23.6	2.74	32.5	23.1	3.03	30.55	21.00	3.37	28.40	22.65	3.75
1200	80	62	37.9	32.1	2.25	36.5	32.6	2.48	34.9	31.9	2.75	33.3	31.2	3.04	31.51	30.44	3.37	29.61	29.36	3.76
	80	67	40.9	25.9	2.26	39.4	26.6	2.50	37.6	26.0	2.78	35.7	25.7	3.06	33.59	25.63	3.39	31.23	25.47	3.77
	80	72	44.3	19.8	2.29	42.6	20.7	2.53	40.6	20.1	2.80	38.5	19.9	3.09	36.21	19.92	3.42	33.71	19.88	3.80
	75	63	38.5	25.9	2.25	37.0	26.5	2.49	35.3	25.8	2.75	33.4	25.5	3.04	31.42	25.35	3.37	29.18	25.10	3.76
1350	80	62	38.9	34.6	2.25	37.5	34.6	2.49	35.9	33.5	2.75	34.3	32.6	3.05	32.56	31.46	3.38	30.57	30.44	3.77
	80	67	41.7	28.0	2.27	40.1	28.4	2.51	38.3	27.7	2.78	36.3	27.6	3.07	34.15	27.37	3.40	31.74	27.33	3.78
	80	72	44.8	21.3	2.29	43.1	21.8	2.54	41.2	21.2	2.81	39.1	21.2	3.10	36.74	21.02	3.43	34.15	21.12	3.81
	75	63	39.4	28.4	2.25	37.8	28.7	2.50	36.1	28.0	2.76	34.2	27.8	3.05	32.10	27.48	3.38	29.80	27.32	3.76

HEAT PUMP COOLING EXPANDED RATINGS (CONTINUED)

Q5RD-042K

O.D.T			85°F			95°F			105°F			115°F		
CFM	E.D.B.	E.W.B.	T.C.	S.C.	K.W.	T.C.	S.C.	K.W.	T.C.	S.C.	K.W.	T.C.	S.C.	K.W.
1200	80	62	39.1	36.4	3.03	37.1	35.4	3.38	35.0	34.4	3.79	32.8	32.5	4.25
	80	67	42.1	30.4	3.09	40.0	29.5	3.44	37.6	28.5	3.85	35.0	27.4	4.32
	80	72	45.8	24.3	3.17	43.3	23.5	3.53	40.6	22.5	3.94	37.8	21.5	4.42
	75	63	39.4	26.3	3.04	37.4	26.4	3.39	35.1	26.1	3.79	32.7	25.5	4.25
1350	80	62	40.1	38.7	3.05	38.1	37.6	3.40	36.1	36.0	3.81	33.9	33.9	4.28
	80	67	43.0	32.3	3.11	40.7	31.4	3.46	38.3	30.3	3.87	35.6	29.2	4.34
	80	72	46.3	25.6	3.18	43.8	24.7	3.54	41.2	23.7	3.96	38.3	22.6	4.44
	75	63	40.2	29.1	3.05	38.1	28.9	3.40	35.8	28.3	3.81	33.3	27.6	4.28
1500	80	62	41.0	40.7	3.07	39.1	38.9	3.42	37.1	37.1	3.83	34.9	34.9	4.31
	80	67	43.6	34.1	3.12	41.3	33.2	3.47	38.8	32.1	3.88	36.1	31.0	4.36
	80	72	46.9	26.7	3.19	44.4	25.8	3.56	41.7	24.8	3.97	38.7	23.7	4.46
	75	63	40.8	32.1	3.07	38.7	31.5	3.42	36.3	30.6	3.82	33.7	29.6	4.28

Q5RD-048KA

O.D.T			65°F			75°F			85°F			95°F			105°F			115°F		
CFM	E.D.B.	E.W.B.	T.C.	S.C.	K.W.	T.C.	S.C.	K.W.	T.C.	S.C.	K.W.	T.C.	S.C.	K.W.	T.C.	S.C.	K.W.	T.C.	S.C.	K.W.
1550	80	62	50.1	40.5	3.20	48.2	40.1	3.52	45.9	40.2	3.87	43.4	39.2	4.28	40.7	40.0	4.75	37.9	37.2	5.28
	80	67	54.3	33.5	3.21	52.1	33.3	3.54	49.8	33.2	3.90	46.9	32.4	4.31	43.9	31.8	4.77	40.5	29.8	5.30
	80	72	59.2	25.6	3.23	56.7	25.4	3.57	53.9	25.9	3.93	50.8	25.2	4.34	47.5	24.6	4.81	43.8	24.9	5.34
	75	63	50.6	32.6	3.21	48.6	32.3	3.53	46.3	32.2	3.88	43.7	31.4	4.29	40.8	28.3	4.75	37.7	30.6	5.28
1700	80	62	51.1	42.6	3.21	49.1	43.3	3.53	46.8	42.1	3.88	44.3	41.1	4.29	41.6	40.2	4.75	38.8	38.5	5.29
	80	67	55.3	34.8	3.22	53.0	35.8	3.55	50.4	34.8	3.90	47.6	34.4	4.32	44.5	34.1	4.78	41.0	33.8	5.31
	80	72	59.8	26.6	3.24	57.3	27.8	3.57	54.5	26.9	3.94	51.5	26.6	4.35	48.1	26.5	4.81	44.3	26.3	5.33
	75	63	51.6	33.8	3.22	49.4	34.7	3.53	47.1	33.7	3.88	44.4	33.2	4.29	41.4	32.8	4.76	38.2	32.4	5.29
1850	80	62	52.1	45.0	3.21	50.0	45.1	3.53	47.3	44.0	3.88	45.1	42.8	4.29	42.5	41.1	4.76	39.7	39.5	5.30
	80	67	56.0	37.0	3.22	53.7	37.4	3.55	51.1	36.4	3.92	48.2	36.2	4.32	45.0	35.7	4.78	41.5	35.5	5.31
	80	72	60.6	28.3	3.24	58.0	28.9	3.57	55.1	28.0	3.94	52.0	27.9	4.35	48.6	27.5	4.82	44.7	27.5	5.34
	75	63	52.3	35.9	3.22	50.1	36.2	3.54	47.7	35.2	3.89	45.0	34.8	4.30	41.9	34.3	4.76	38.7	34.0	5.29

Q5RD-060K

O.D.T			85°F			95°F			105°F			115°F		
CFM	E.D.B.	E.W.B.	T.C.	S.C.	K.W.	T.C.	S.C.	K.W.	T.C.	S.C.	K.W.	T.C.	S.C.	K.W.
1450	80	62	53.6	45.8	4.55	50.6	45.0	5.04	47.3	44.4	5.60	43.8	42.6	6.25
	80	67	58.3	38.2	4.61	55.0	36.9	5.10	51.4	35.5	5.66	47.4	34.0	6.31
	80	72	63.6	30.4	4.69	59.9	29.1	5.17	55.9	27.8	5.73	51.5	26.3	6.39
	75	63	54.5	37.2	4.57	51.3	35.9	5.06	47.9	34.5	5.62	44.2	32.9	6.26
1650	80	62	55.1	49.5	4.57	52.0	49.1	5.06	48.7	47.8	5.62	45.3	45.3	6.27
	80	67	59.7	41.0	4.63	56.2	39.6	5.12	52.5	38.2	5.68	48.3	36.6	6.33
	80	72	65.0	32.1	4.71	61.1	30.8	5.19	57.0	29.5	5.75	52.4	28.0	6.41
	75	63	55.8	39.8	4.58	52.6	38.4	5.07	49.0	37.0	5.63	45.1	35.4	6.28
1850	80	62	56.5	53.5	4.59	53.3	52.2	5.08	50.2	50.2	5.64	46.8	46.8	6.30
	80	67	60.9	43.6	4.65	57.3	42.3	5.13	53.4	40.8	5.69	49.1	39.2	6.34
	80	72	66.1	33.8	4.73	62.1	32.5	5.21	57.8	31.1	5.76	53.0	29.6	6.42
	75	63	56.9	42.3	4.60	53.5	40.9	5.09	49.9	39.4	5.64	45.9	37.8	6.29

HEAT PUMP HEATING EXPANDED RATINGS

Q5RD-024K

CFM		Indoor T. Deg.F	OUTDOOR TEMPERATURE (Deg. F)																							
			10			17			20			30			40			47			50			60		
			MBH	COP	kW	MBH	COP	kW	MBH	COP	kW	MBH	COP	kW	MBH	COP	kW	MBH	COP	kW	MBH	COP	kW	MBH	COP	kW
650	60	11.2	1.94	1.70	14.0	2.37	1.74	15.2	2.54	1.75	19.2	3.12	1.81	23.2	3.66	1.86	26.0	4.02	1.89	27.1	4.17	1.91	31.1	4.65	1.96	
	70	10.7	1.87	1.68	13.3	2.25	1.73	14.4	2.41	1.75	18.2	2.92	1.83	21.9	3.38	1.90	24.5	3.68	1.95	25.6	3.81	1.97	29.4	4.21	2.05	
	80	10.1	1.77	1.68	12.5	2.12	1.73	13.6	2.27	1.76	17.1	2.72	1.84	20.6	3.14	1.93	23.0	3.40	1.98	24.1	3.52	2.01	27.6	3.87	2.09	
800	60	11.2	1.93	1.70	14.0	2.36	1.74	15.2	2.54	1.75	19.2	3.11	1.81	23.1	3.65	1.86	25.9	4.02	1.89	27.1	4.17	1.91	31.1	4.66	1.96	
	70	10.7	1.87	1.68	13.3	2.25	1.73	14.4	2.41	1.75	18.2	2.92	1.83	21.9	3.38	1.90	24.5	3.68	1.95	25.6	3.81	1.97	29.4	4.21	2.05	
	80	10.1	1.78	1.66	12.6	2.14	1.72	13.6	2.28	1.75	17.1	2.73	1.84	20.6	3.14	1.93	23.1	3.40	1.99	24.1	3.51	2.02	27.7	3.85	2.10	
950	60	11.2	1.92	1.71	14.0	2.35	1.75	15.2	2.53	1.76	19.1	3.10	1.81	23.1	3.65	1.86	25.9	4.01	1.89	27.1	4.16	1.91	31.0	4.66	1.95	
	70	10.7	1.87	1.68	13.3	2.25	1.73	14.4	2.41	1.75	18.2	2.92	1.83	21.9	3.38	1.90	24.5	3.68	1.95	25.6	3.81	1.97	29.4	4.21	2.05	
	80	10.1	1.79	1.66	12.6	2.14	1.72	13.6	2.28	1.75	17.1	2.72	1.84	20.5	3.12	1.93	23.0	3.38	1.99	24.0	3.49	2.02	27.5	3.82	2.11	

Q5RD-030K

CFM		Indoor T. Deg.F	OUTDOOR TEMPERATURE (Deg. F)																							
			10			17			20			30			40			47			50			60		
			MBH	COP	kW	MBH	COP	kW	MBH	COP	kW	MBH	COP	kW	MBH	COP	kW	MBH	COP	kW	MBH	COP	kW	MBH	COP	kW
850	60	13.7	1.97	2.04	16.5	2.35	2.05	17.6	2.51	2.06	21.6	3.04	2.08	25.5	3.55	2.11	28.3	3.90	2.12	29.4	4.05	2.13	33.4	4.55	2.15	
	70	13.1	1.86	2.06	15.7	2.20	2.09	16.8	2.35	2.10	20.5	2.81	2.14	24.2	3.27	2.17	26.8	3.57	2.20	27.9	3.70	2.21	31.6	4.12	2.25	
	80	12.5	1.74	2.11	15.0	2.05	2.14	16.0	2.18	2.15	19.5	2.60	2.19	22.9	3.01	2.23	25.3	3.29	2.26	26.4	3.40	2.27	29.8	3.78	2.31	
1000	60	13.6	1.96	2.04	16.4	2.34	2.06	17.6	2.50	2.06	21.5	3.03	2.08	25.5	3.55	2.11	28.2	3.90	2.12	29.4	4.05	2.13	33.4	4.55	2.15	
	70	13.1	1.86	2.06	15.7	2.20	2.09	16.8	2.35	2.10	20.5	2.81	2.14	24.2	3.27	2.17	26.8	3.57	2.20	27.9	3.70	2.21	31.6	4.12	2.25	
	80	12.5	1.75	2.10	15.0	2.06	2.13	16.0	2.19	2.14	19.5	2.61	2.19	23.0	3.01	2.23	25.4	3.29	2.26	26.4	3.40	2.28	29.9	3.78	2.32	
1150	60	13.6	1.95	2.05	16.4	2.33	2.06	17.6	2.49	2.07	21.5	3.02	2.09	25.4	3.54	2.11	28.2	3.89	2.12	29.4	4.05	2.13	33.3	4.54	2.15	
	70	13.1	1.86	2.06	15.7	2.20	2.09	16.8	2.35	2.10	20.5	2.81	2.14	24.2	3.27	2.17	26.8	3.57	2.20	27.9	3.70	2.21	31.6	4.12	2.25	
	80	12.5	1.75	2.10	14.9	2.06	2.13	16.0	2.19	2.14	19.4	2.60	2.19	22.9	3.00	2.24	25.3	3.27	2.27	26.3	3.38	2.28	29.8	3.75	2.33	

Q5RD-036KA

CFM		Indoor T. Deg.F	OUTDOOR TEMPERATURE (Deg. F)																							
			10			17			20			30			40			47			50			60		
			MBH	COP	kW	MBH	COP	kW	MBH	COP	kW	MBH	COP	kW	MBH	COP	kW	MBH	COP	kW	MBH	COP	kW	MBH	COP	kW
1050	60	16.3	2.06	2.31	20.1	2.47	2.38	21.7	2.64	2.41	27.1	3.18	2.50	32.5	3.67	2.60	36.3	4.00	2.66	37.9	4.13	2.69	43.3	4.56	2.79	
	70	15.6	1.92	2.39	19.3	2.29	2.46	20.8	2.45	2.49	26.0	2.93	2.60	31.2	3.37	2.71	34.8	3.66	2.79	36.4	3.78	2.82	41.6	4.16	2.93	
	80	15.1	1.78	2.48	18.5	2.12	2.56	20.0	2.26	2.60	25.0	2.70	2.71	30.0	3.10	2.83	33.4	3.36	2.92	34.9	3.47	2.95	39.9	3.81	3.07	
1200	60	16.5	2.04	2.36	20.1	2.62	2.25	21.6	2.58	2.45	26.7	3.08	2.54	31.9	3.55	2.63	35.5	4.34	2.40	37.0	3.99	2.72	42.1	4.40	2.81	
	70	15.9	1.91	2.44	19.3	2.45	2.31	20.8	2.40	2.54	25.7	2.85	2.64	30.6	3.26	2.75	34.0	3.99	2.50	35.5	3.65	2.85	40.4	4.01	2.95	
	80	15.3	1.77	2.53	18.6	2.29	2.38	20.0	2.22	2.64	24.6	2.62	2.76	29.3	3.00	2.87	32.6	3.69	2.60	34.0	3.35	2.98	38.7	3.67	3.10	
1350	60	16.5	2.01	2.41	20.4	2.43	2.47	22.1	2.60	2.50	27.7	3.15	2.58	33.3	3.66	2.67	37.2	4.00	2.73	38.8	4.14	2.75	44.4	4.59	2.84	
	70	16.0	1.89	2.48	19.7	2.27	2.55	21.3	2.42	2.58	26.7	2.92	2.68	32.0	3.38	2.78	35.8	3.68	2.85	37.4	3.80	2.88	42.7	4.20	2.98	
	80	15.4	1.75	2.58	19.0	2.10	2.65	20.5	2.24	2.69	25.6	2.69	2.79	30.7	3.10	2.90	34.3	3.37	2.98	35.8	3.49	3.01	40.9	3.84	3.12	

HEAT PUMP HEATING EXPANDED RATINGS (CONTINUED)

Q5RD-042K

		OUTDOOR TEMPERATURE (Deg. F)																							
CFM	Indoor T. Deg.F	10			17			20			30			40			47			50			60		
		MBH	COP	kW	MBH	COP	kW	MBH	COP	kW	MBH	COP	kW	MBH	COP	kW	MBH	COP	kW	MBH	COP	kW	MBH	COP	kW
1200	60	19.5	2.26	2.54	23.7	2.66	2.61	25.5	2.83	2.65	31.5	3.35	2.76	37.5	3.83	2.87	41.7	4.15	2.94	43.5	4.28	2.98	49.5	4.70	3.09
	70	18.8	2.09	2.64	22.8	2.46	2.73	24.6	2.61	2.76	30.4	3.08	2.89	36.2	3.52	3.01	40.2	3.81	3.10	42.0	3.93	3.14	47.8	4.30	3.26
	80	18.2	1.93	2.77	22.1	2.27	2.86	23.8	2.41	2.90	29.4	2.84	3.03	34.9	3.24	3.16	38.8	3.50	3.26	40.5	3.60	3.30	46.1	3.94	3.43
1350	60	19.7	2.23	2.58	23.9	2.64	2.65	25.7	2.81	2.69	31.8	3.34	2.79	37.9	3.84	2.89	42.2	4.17	2.97	44.0	4.30	3.00	50.1	4.73	3.10
	70	19.0	2.07	2.69	23.1	2.45	2.77	24.9	2.60	2.81	30.7	3.08	2.92	36.6	3.53	3.04	40.7	3.83	3.12	42.5	3.95	3.16	48.3	4.33	3.27
	80	18.4	1.92	2.81	22.4	2.26	2.90	24.0	2.40	2.94	29.7	2.84	3.07	35.4	3.25	3.19	39.3	3.52	3.28	41.0	3.63	3.32	46.7	3.98	3.44
1500	60	19.7	2.21	2.62	24.1	2.62	2.70	25.9	2.79	2.73	32.1	3.33	2.83	38.3	3.83	2.93	42.6	4.17	3.00	44.4	4.30	3.03	50.6	4.74	3.13
	70	19.2	2.06	2.73	23.4	2.44	2.81	25.1	2.59	2.84	31.1	3.08	2.96	37.0	3.54	3.07	41.2	3.84	3.15	42.9	3.96	3.18	48.9	4.35	3.29
	80	18.6	1.91	2.86	22.6	2.25	2.94	24.3	2.39	2.98	30.0	2.84	3.10	35.7	3.25	3.22	39.7	3.53	3.30	41.4	3.64	3.34	47.1	3.99	3.46

Q5RD-048KA

		OUTDOOR TEMPERATURE (Deg. F)																							
CFM	Indoor T. Deg.F	10			17			20			30			40			47			50			60		
		MBH	COP	kW	MBH	COP	kW	MBH	COP	kW	MBH	COP	kW	MBH	COP	kW	MBH	COP	kW	MBH	COP	kW	MBH	COP	kW
1450	60	23.3	2.16	3.16	28.1	2.52	3.26	30.1	2.67	3.30	37.0	3.15	3.44	43.8	3.59	3.58	48.6	3.88	3.68	50.7	4.00	3.72	57.5	4.37	3.86
	70	22.5	1.96	3.37	27.1	2.30	3.47	29.1	2.43	3.51	35.8	2.87	3.65	42.5	3.28	3.80	47.2	3.55	3.90	49.2	3.66	3.94	55.8	4.01	4.08
	80	21.9	1.79	3.59	26.4	2.10	3.69	28.4	2.23	3.74	34.8	2.63	3.89	41.3	3.00	4.04	45.8	3.24	4.14	47.8	3.34	4.19	54.2	3.66	4.34
1650	60	20.6	1.88	3.21	25.4	2.51	2.97	27.5	2.42	3.34	34.5	2.92	3.47	41.4	3.38	3.59	46.3	4.05	3.35	48.4	3.81	3.72	55.3	4.21	3.85
	70	19.9	1.71	3.41	24.6	2.30	3.13	26.6	2.21	3.54	33.4	2.66	3.67	40.1	3.09	3.81	44.8	3.71	3.54	46.8	3.48	3.94	53.6	3.86	4.07
	80	19.3	1.55	3.64	23.9	2.11	3.31	25.8	2.01	3.77	32.3	2.43	3.91	38.9	2.82	4.04	43.5	3.40	3.74	45.4	3.19	4.18	52.0	3.53	4.32
1850	60	23.6	2.13	3.25	28.6	2.51	3.34	30.7	2.67	3.37	37.8	3.17	3.50	44.9	3.63	3.62	49.9	3.94	3.71	52.0	4.07	3.75	59.1	4.48	3.87
	70	23.1	1.96	3.46	27.9	2.31	3.54	29.9	2.45	3.58	36.8	2.91	3.71	43.6	3.34	3.83	48.4	3.62	3.92	50.5	3.74	3.95	57.3	4.12	4.08
	80	22.4	1.79	3.68	27.1	2.11	3.77	29.1	2.24	3.81	35.7	2.66	3.93	42.4	3.06	4.06	47.0	3.32	4.15	49.0	3.43	4.19	55.6	3.78	4.31

Q5RD-060K

		OUTDOOR TEMPERATURE (Deg. F)																							
CFM	Indoor T. Deg.F	10			17			20			30			40			47			50			60		
		MBH	COP	kW	MBH	COP	kW	MBH	COP	kW	MBH	COP	kW	MBH	COP	kW	MBH	COP	kW	MBH	COP	kW	MBH	COP	kW
1450	60	24.8	2.28	3.19	30.6	2.63	3.41	33.1	2.76	3.51	41.3	3.16	3.84	49.5	3.49	4.16	55.3	3.70	4.39	57.8	3.78	4.48	66.0	4.03	4.81
	70	24.0	2.07	3.40	29.6	2.38	3.64	32.0	2.51	3.74	40.1	2.88	4.09	48.2	3.19	4.43	53.9	3.38	4.67	56.3	3.46	4.78	64.4	3.69	5.12
	80	23.4	1.89	3.63	28.9	2.18	3.89	31.3	2.29	4.00	39.2	2.63	4.37	47.0	2.91	4.74	52.5	3.08	5.00	54.9	3.15	5.12	62.8	3.36	5.49
1650	60	25.1	2.27	3.23	30.9	2.63	3.45	33.4	2.77	3.54	41.8	3.18	3.85	50.1	3.54	4.16	56.0	3.76	4.37	58.5	3.84	4.47	66.9	4.11	4.77
	70	24.3	2.07	3.44	30.0	2.40	3.67	32.5	2.53	3.77	40.6	2.91	4.09	48.8	3.24	4.42	54.5	3.44	4.65	57.0	3.52	4.75	65.1	3.76	5.07
	80	23.7	1.89	3.68	29.3	2.19	3.92	31.6	2.30	4.03	39.6	2.66	4.38	47.6	2.96	4.72	53.2	3.14	4.97	55.6	3.21	5.07	63.6	3.44	5.42
1850	60	25.1	2.25	3.27	31.1	2.62	3.48	33.6	2.76	3.57	42.1	3.19	3.88	50.6	3.56	4.18	56.6	3.78	4.39	59.1	3.87	4.48	67.6	4.15	4.78
	70	24.6	2.07	3.49	30.4	2.40	3.71	32.9	2.53	3.80	41.1	2.93	4.12	49.3	3.27	4.43	55.1	3.48	4.65	57.6	3.56	4.74	65.8	3.82	5.06
	80	24.0	1.88	3.73	29.6	2.19	3.96	32.0	2.31	4.06	40.1	2.68	4.39	48.1	2.99	4.72	53.7	3.18	4.95	56.2	3.26	5.05	64.2	3.50	5.38



We Encourage Professionalism



Through Technician Certification by NATE

GENERAL TERMS OF LIMITED WARRANTY

NORDYNE will furnish a replacement for any part of this product which fails in normal use and service within the first ten years of installation, in accordance with the terms of the warranty.

For complete details of the Limited Warranty, including applicable terms and conditions, see your local installer or contact the NORDYNE warranty department for a copy.

NORDYNE

COMPLETE COMFORT. GENUINE VALUE. 8000 Phoenix Parkway | O'Fallon, MO 63368-3827

Specifications and illustrations subject to change without notice and without incurring obligations. Printed in U.S.A (09/2010)

205D-0910 (Replaces 205D-0809)

www.frigidaire.net

Trademark Frigidaire is a registered trademark used under license from Frigidaire International Company, U.S.A. © NORDYNE. All Rights Reserved.